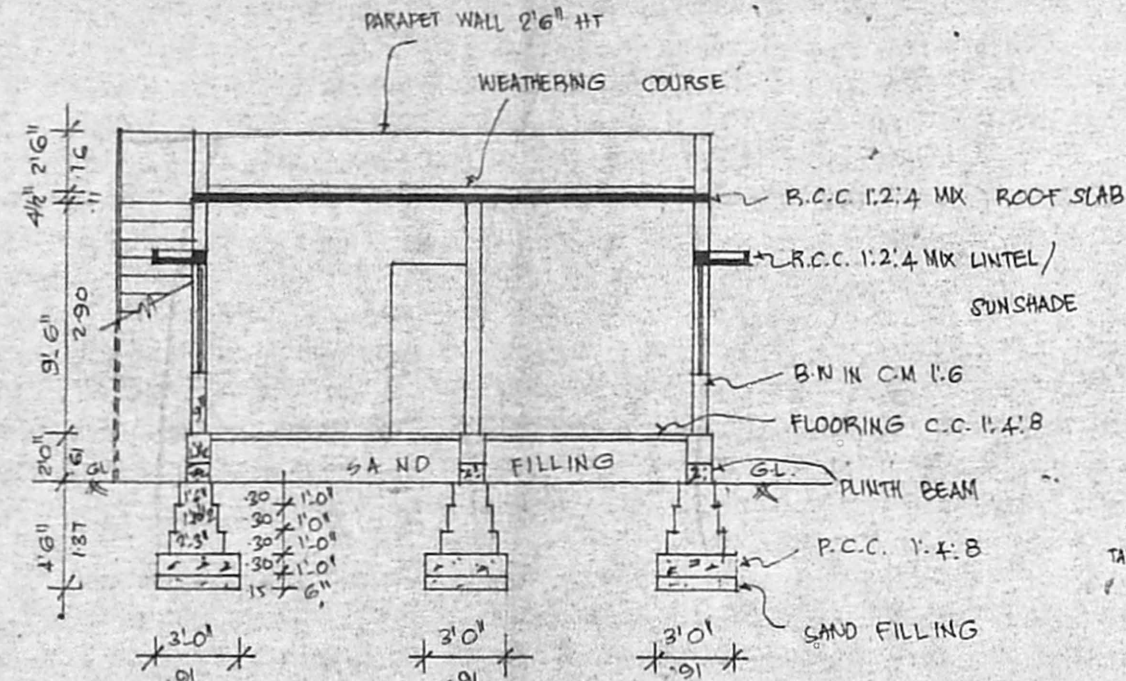
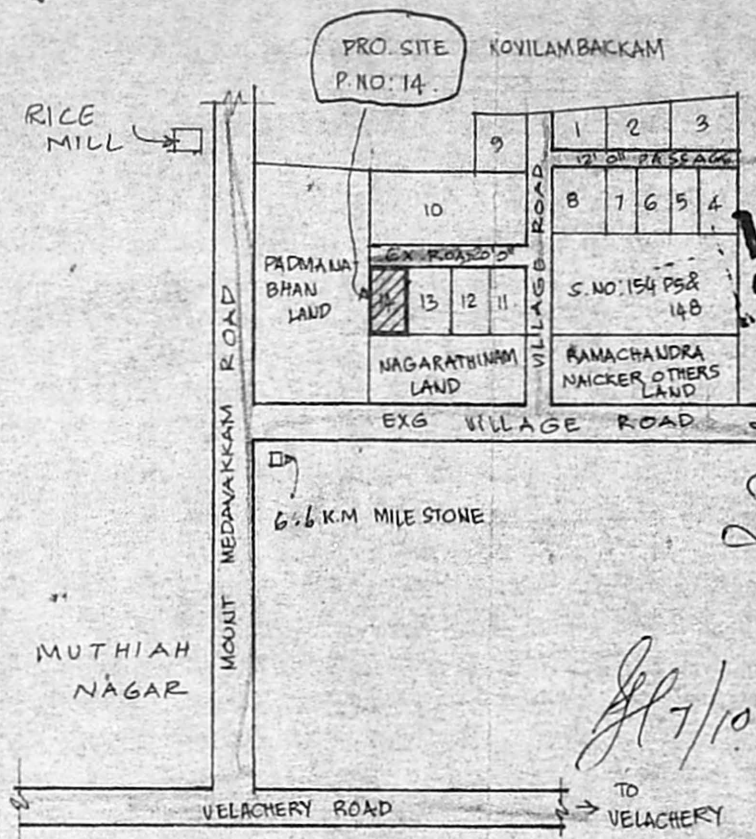


ELEVATION

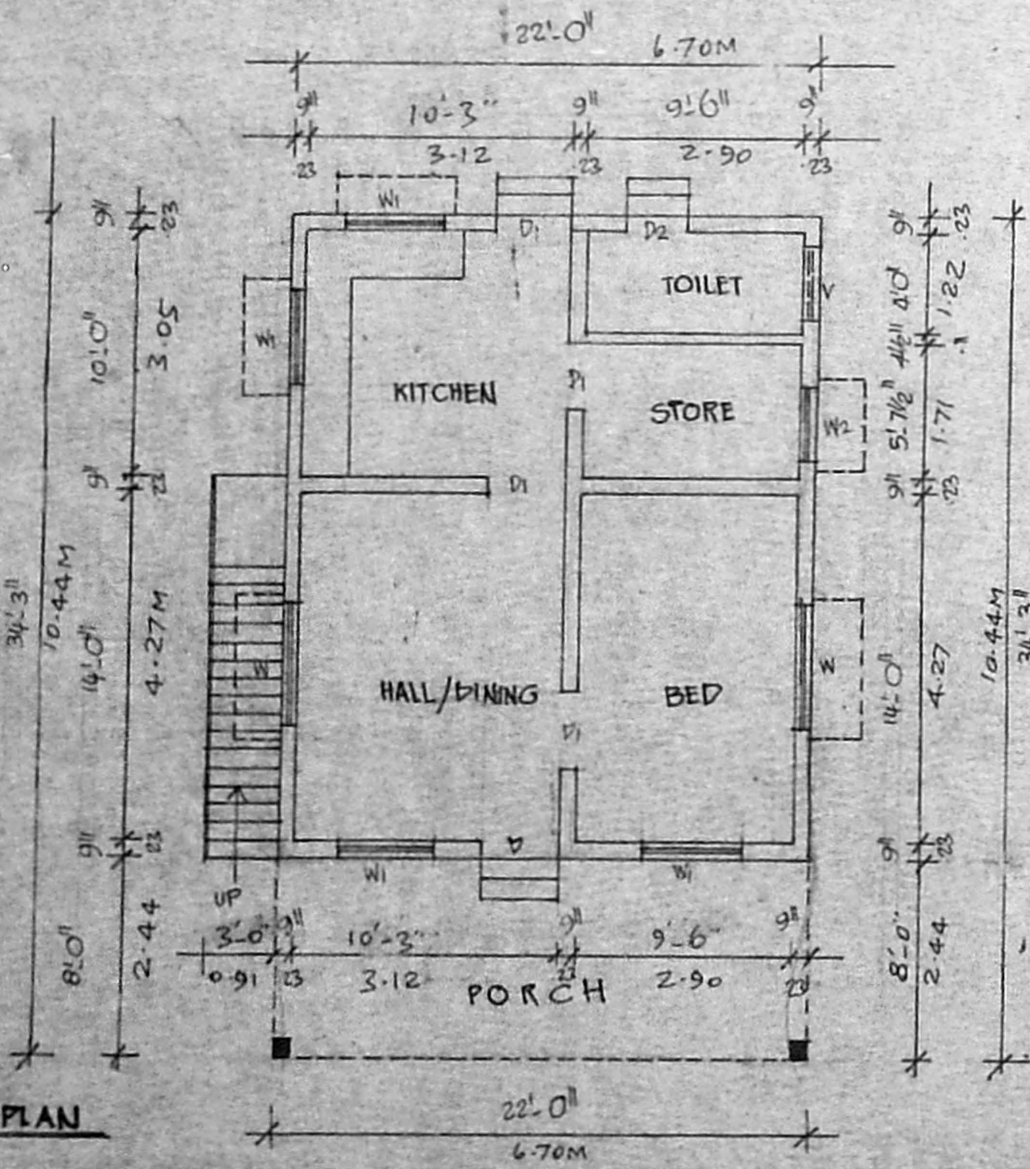


SECTION AB

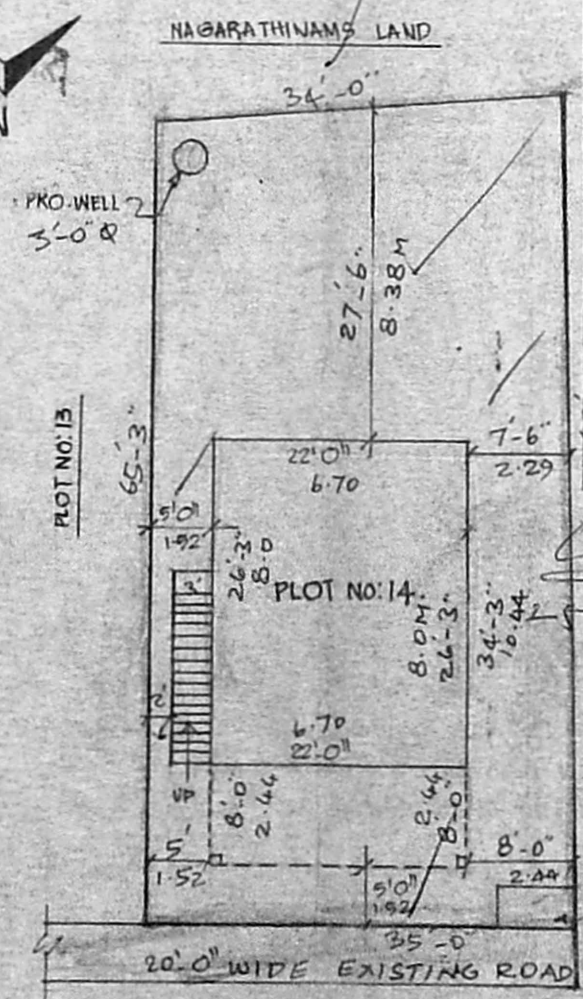


KEY PLAN

[NOT TO SCALE]



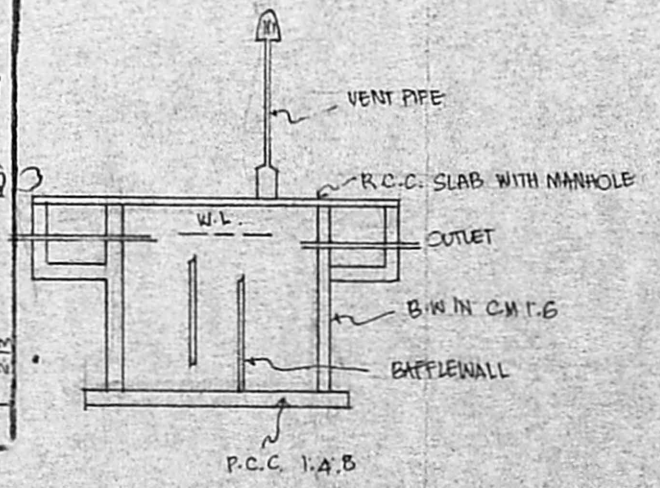
PLAN



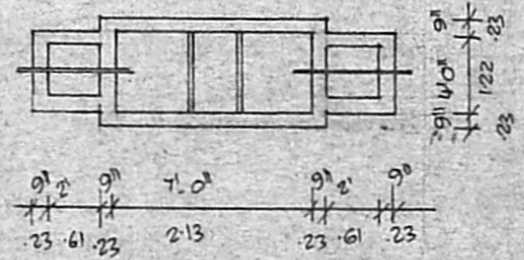
SITE PLAN

1/16.0' (OR) 1:200

Planning Permit No. A 1234124113
APPROVED
 SUBJECT TO THE CONDITIONS IN THIS OFFICE LETTER.
 No. A3121481192 to 2153
 FOR MEMORANDUM OF UNDERSTANDING
 MADRAS DEVELOPMENT AUTHORITY
 MADRAS 600 008.



SECTION OF WELL



PLAN & SECTION OF SEPTIC TANK

PLAN SHOWING THE PROPOSED CONSTRUCTION OF A RESIDENTIAL BUILDING IN PLOT NO. 14, S.NO. 154 OF KOVILAMBAKKAM VILLAGE, SADDAPET TALUK, ST. THOMAS MOUNT PANCHAYAT UNION, CHENGLEPET - M.G.R. DISTRICT.

SCALE : 1 INCH = 8 FEET. (1:100)

Secretary plan

JOINERY			
D	DOOR	3'3" x 7'0"	100 x 213
D1	DOOR	3'0" x 7'0"	91 x 213
D2	DOOR	2'6" x 7'0"	76 x 213
W	WINDOW	5'0" x 4'6"	152 x 137
W1	WINDOW	4'0" x 4'6"	122 x 137
W2	WINDOW	3'0" x 4'6"	91 x 137
V	VENTILATOR	3'0" x 2'0"	91 x 61

AREA DETAIL	
PLOT AREA :	2300 SFT (OR) 213.67M ²
PLINTH AREA :	753.50 SFT (OR) 70.0M ²
COVERAGE :	32.76 %
F.S.I. :	0.32

LEGEND	
PRO. AS SHOWN	
EXG. ROAD AS SHOWN	
SITE BOUNDRY AS SHOWN	

M. K. Subram
 OWNER

Phone: 440782
R. Mohan Rao, D.C.E.,
 LICENSED SURVEYOR
 Corporation of Madras
 REG. No: 14
 AMBATTUR TOWN SHIP
 ALANDUR MUNICIPALITY
 Consulting Engineer
 Office: 15, Madley Road
 T. NAGAR, MADRAS-600 017
 LICENSED SURVEYOR